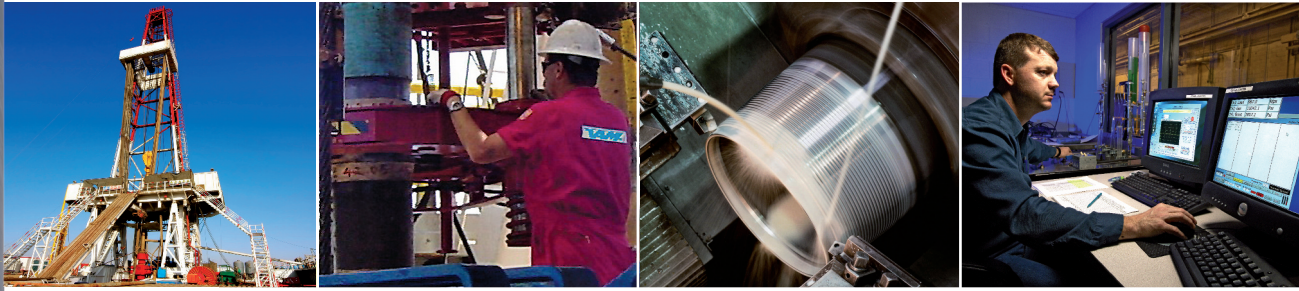


**VAM<sup>®</sup> SG**

# Shale just became conventional



*VAM<sup>®</sup> 21*  
*VAM<sup>®</sup> TOP*  
*VAM<sup>®</sup> TOP HC*  
*VAM<sup>®</sup> TOP HT*  
*VAM<sup>®</sup> SLIJ II*  
*VAM<sup>®</sup> FJL*  
*VAM<sup>®</sup> HTF*  
***VAM<sup>®</sup> SG***  
*DINO VAM<sup>®</sup>*  
*BIG OMEGA<sup>™</sup>*  
*VAM<sup>®</sup> TOP FE*  
*VAM<sup>®</sup> HW ST*  
*VAM<sup>®</sup> MUST*

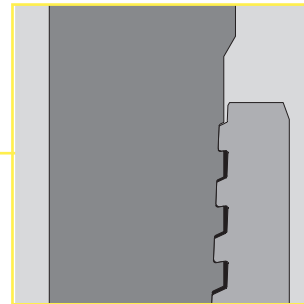
**VAM<sup>®</sup>**  
**USA**



## VAM® SG main features include:

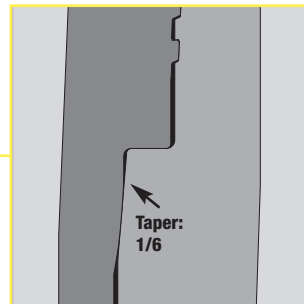
- **Seal protected from rough handling**
- **Enhanced torque resistance**
- **Reliable running ability**  
Fit for Shale rig handling systems  
Deep stabbing dual step thread

### Thread Run-out



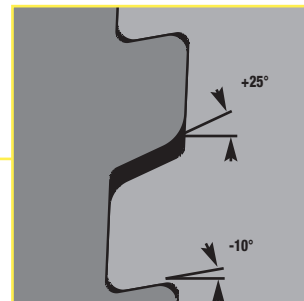
On Pin OD & Box ID  
To maximize tension efficiency

### Mid-Seal/Shoulder



Gas-tight metal seal  
90° Torque Shoulder

### Thread form



8 TPI - 4 1/2" 1/16 Taper  
7 TPI - 5", 5 1/2" 1/12 Taper



# Brings the complete package to Shale needs

## Validated Performance Properties

- **Tension**  
90-91% PBYS
- **Compression**  
63-64% PBYS
- **Torque**  
13,000 to 16,000 ft-lbs  
(5"-5 1/2")
- **Bending**  
40 deg/100 ft
- **Fatigue**  
SAF less than 1.5

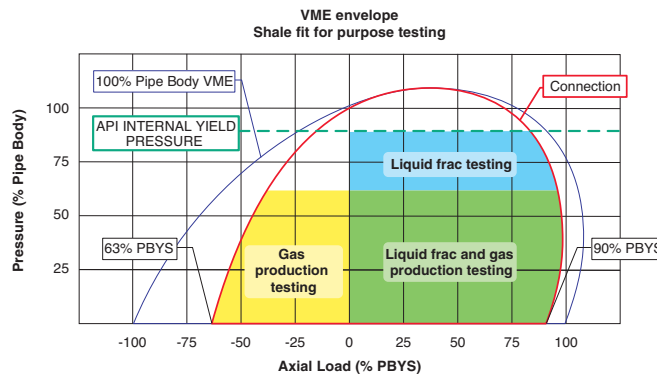
## BENEFITS

- A single Semi-Flush premium solution for the full string length
- Enhanced torque and tension resistance compared to current Semi-Flush connections
- A highly competitive solution for Shale play economics
- High fatigue performance for rotation through the curve

## The VAM SG Initial Product Line

Size (OD)	Nominal Weight	Wall Thickness		Inside Diameter	Drift Diameter	Pipe body section	Box OD	Pin ID	Make-up Loss	Threads per inch	Joint Efficiency
inch mm	lb / ft	inch	mm	inch	inch	sq. in.	inch	inch	inch	inch	%
4 1/2 114.3	15.1	0.337	8.56	3.826	3.701	4.407	4.678	3.759	6.696	8	90
5 127	21.4	0.437	11.10	4.126	4.001	6.264	5.252	4.059	6.502	7	90
	23.2	0.478	12.14	4.044	3.919	6.791	5.276	3.977	7.103	7	91
5 1/2 139.7	20.0	0.361	9.17	4.778	4.653	5.828	5.697	4.711	6.335	8	87
	23.0	0.415	10.54	4.670	4.545	6.630	5.720	4.603	6.502	7	90
	26.0	0.476	12.09	4.548	4.423	7.513	5.720	4.481	7.443	7	90

Size (OD)	Nominal Weight	Joint Yield Strength (1000 lb)			Joint Compression Resistance (1000lb)			Joint Parting Load (1000lb)				Minimum Internal Yield Pressure (psi)		
		C95 T95	C110 P110	Q125	C95 T95	C110 P110	Q125	C95 T95	C110	P110	Q125	95 ksi	110 ksi	125 ksi
4 1/2 114.3	15.1	377	436	496	264	305	347	417	476	495	536	12450	14420	16380
5 127	21.4	536	620	705	375	434	494	592	676	705	761	14530	16820	19120
	23.2	587	680	772	411	476	540	649	742	773	834	15890	18400	20910
5 1/2 139.7	20.0	482	558	634	337	391	444	533	609	634	685	10910	12640	14360
	23.0	567	656	746	397	459	522	627	716	745	806	12540	14530	16510
	26.0	642	744	845	449	592	592	710	812	845	913	14390	16660	18930



# Our worldwide network for your success



- Sales offices
- ★ Steel making plants
- Manufacturing plants
- ▲ Accessories and repair VAM® licensee facilities
- ◆ VAM® Field Service International

## SALES OFFICES

**VALLOUREC MANNESMANN OIL & GAS FRANCE**  
27, avenue du Général Leclerc  
92660 Boulogne Billancourt Cedex  
France  
Phone +33 1 49093731  
Fax +33 1 49093713

**V & M DEUTSCHLAND Oil & Gas Division**  
Theodorstrasse 90  
40472 Düsseldorf, Germany  
Phone +49 211 960-0  
Fax +49 211 960-3924

**VALLOUREC MANNESMANN OIL & GAS UK**  
Prospect Place  
Westhill Industrial Estate, Westhill  
Aberdeenshire, UK - AB32 6SY  
Phone +44 1224 279340  
Fax +44 1224 279341

**V & M USA Corp.**  
4424 W. Sam Houston Parkway N.  
Suite 150  
Houston, TX 77041, USA  
Phone +1 713 4793200  
Fax +1 713 4793201

**VALLOUREC MANNESMANN OIL & GAS CHINA**  
Room 301, East Ocean Center  
24A, Jianguomenwai Avenue  
Beijing 100004, P.R. China  
Phone +86 10 5923 3000  
Fax +86 10 59 23 3001

**VALLOUREC & MANNESMANN RUS**  
Office E02-305  
4<sup>th</sup> Dobryninsky pereulok, 8,  
Moscow, 119049, Russia  
Phone +7 495 787-49-30  
Fax +7 495 787-49-31

**VALLOUREC MANNESMANN OIL & GAS**  
Flat 4, N°7, Street 212  
Maadi Digla - Cairo - Egypt  
Phone +2 022 521 26 89  
Fax +2 022 521 26 90

**VAM ASIA PACIFIC Seamless Tubes Asia Pacific**  
133, New Bridge Road  
#21-01 Chinatown Point  
Singapore 059413  
Tel : +65 6535 8562  
Fax: +65 6738 9175

## SALES & SERVICES OFFICES

**V & M DO BRASIL**  
Rua Lauro Müller 116 - Sala 1906  
Botafogo 22290 -160  
Rio de Janeiro - RJ, Brazil  
Phone +55 21 38738300  
Fax +55 21 38738316

**VAM USA**  
19210 Hardy Road  
Houston, TX 77073, USA  
Phone +1 281 8215510  
Fax +1 281 8217760

**VAM CANADA**  
# 1920, 444  
5<sup>th</sup> Avenue SW, Calgary, Alberta  
Canada T2P 2T8  
Phone +1 403 2330119  
Fax +1 403 2662332

**VAM MEXICO**  
Av. Framboyanes Lote 6 - Manzana 5  
Cd. ind. Bruno Pagliai  
Tejeria, Vera Cruz  
CP 91697, Mexico  
Phone +52 1 229 989 8716  
Fax +52 1 229 981 0349

**VALLOUREC MANNESMANN OIL & GAS NIGERIA**  
15B Akanbi Danmola Street  
South West Ikoyi, Lagos, Nigeria  
Phone +234 1 763 1412 / 1422

**VAM DUBAI**  
World Trade Center  
Level 14, office 14:01  
P.O. Box 9405 - DUBAI, U.A.E.  
Phone +971 4 329 16 18  
Fax +971 4 329 16 22

## SERVICES OFFICES

**VAM FIELD SERVICE INTERNATIONAL**  
Prospect Place  
Westhill Industrial Estate, Westhill  
Aberdeenshire, UK - AB32 6SY  
Phone +44 1224 279380  
Fax +44 1224 279384

**VAM FAR EAST**  
32 Jalan Kilang Barat  
Singapore, 159364  
Phone +65 6736 23 72  
Fax +65 6235 11 26

**VAM Field Service Beijing**  
Room 1102, East Ocean Centre  
No. 24, JianGuoMen Wai Avenue  
Beijing 100004  
People's Republic of China  
Phone +86 519 8517 5068  
Fax +86 519 8517 5368

**VAM ANGOLA**  
Sonils Business Centre (Office 04)  
RUA 6-1L Boavista  
Luanda, Republic of Angola  
Phone +244 222 670 439  
Fax +244 222 310 910

**VAM SERVICES Licensee Network**  
21-23 rue de Leval  
59620 Aulnoye Aymeries, France  
Phone +33 3 27696615  
Fax +33 3 27664575

Please contact us for more information:

[www.vam-usa.com](http://www.vam-usa.com)

✉ [customerservice@vam-usa.com](mailto:customerservice@vam-usa.com)

☎ +1 713 479-3200 / +1 281 821-5510

